

# FOCO

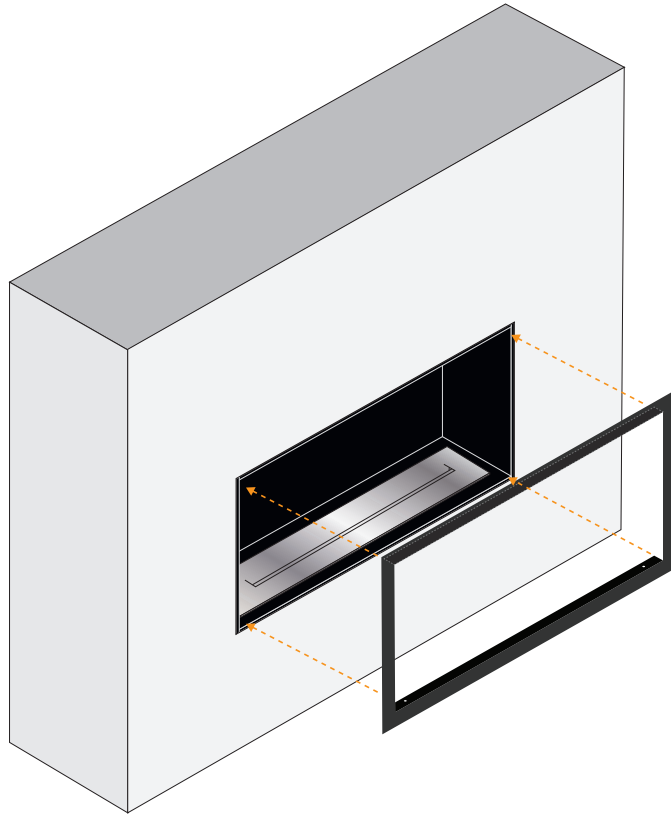
## FRAME

For Foco One and Foco Two models

Danish Design by Bio Fireplace Group

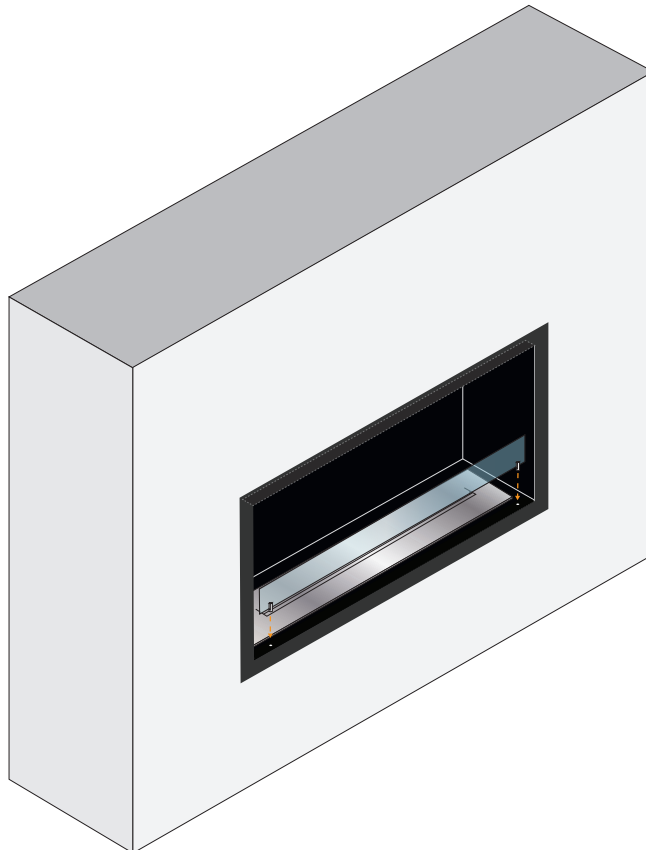


1



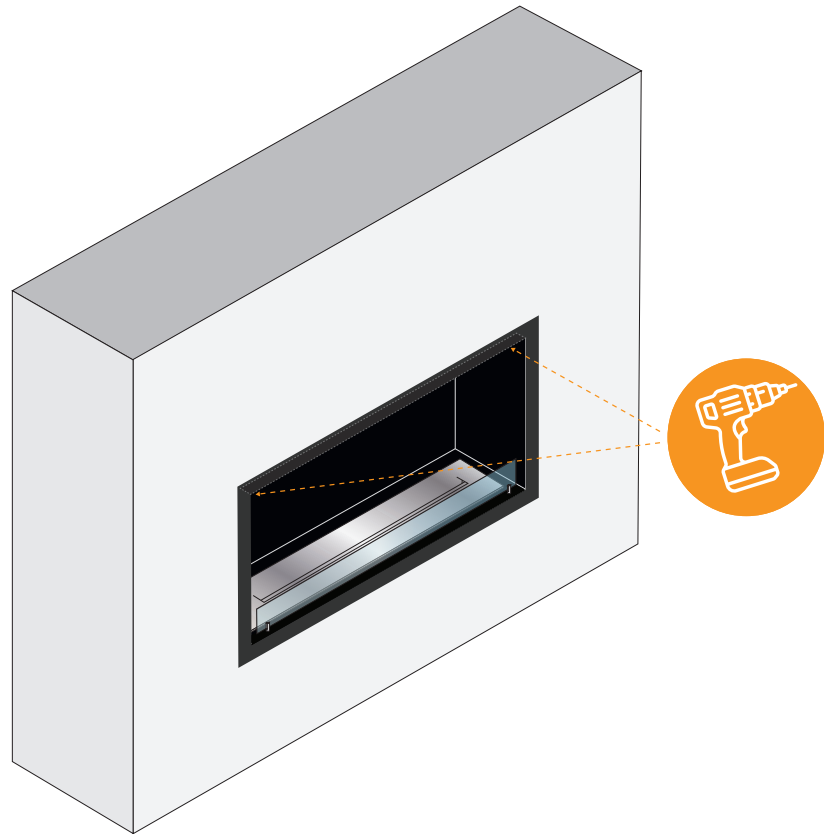
Remove glass and other accessories from the Foco fireplace and place the outside frame into the installation frame

2



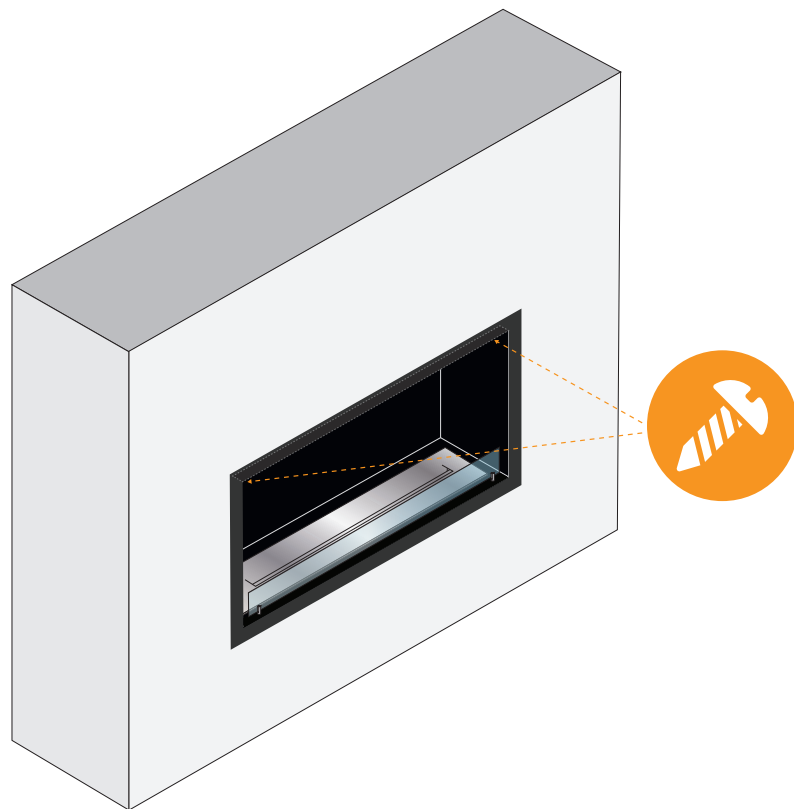
Line up the holes in both the Foco installation frame and the outside frame and fasten the glass holders through both

3

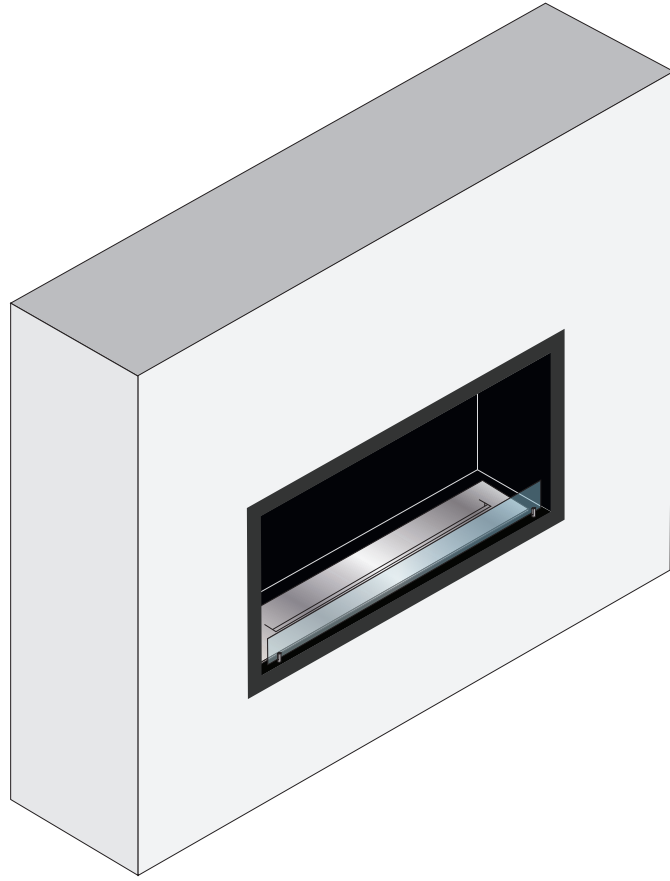


Drill two holes in the installation frame using metal drill bits.  
Use the holes in the outside frame as guide

4



Fasten the outside frame with a screw going through both frames  
and into the wall



Installation of the Foco frame is completed and your fireplace is now ready to use

