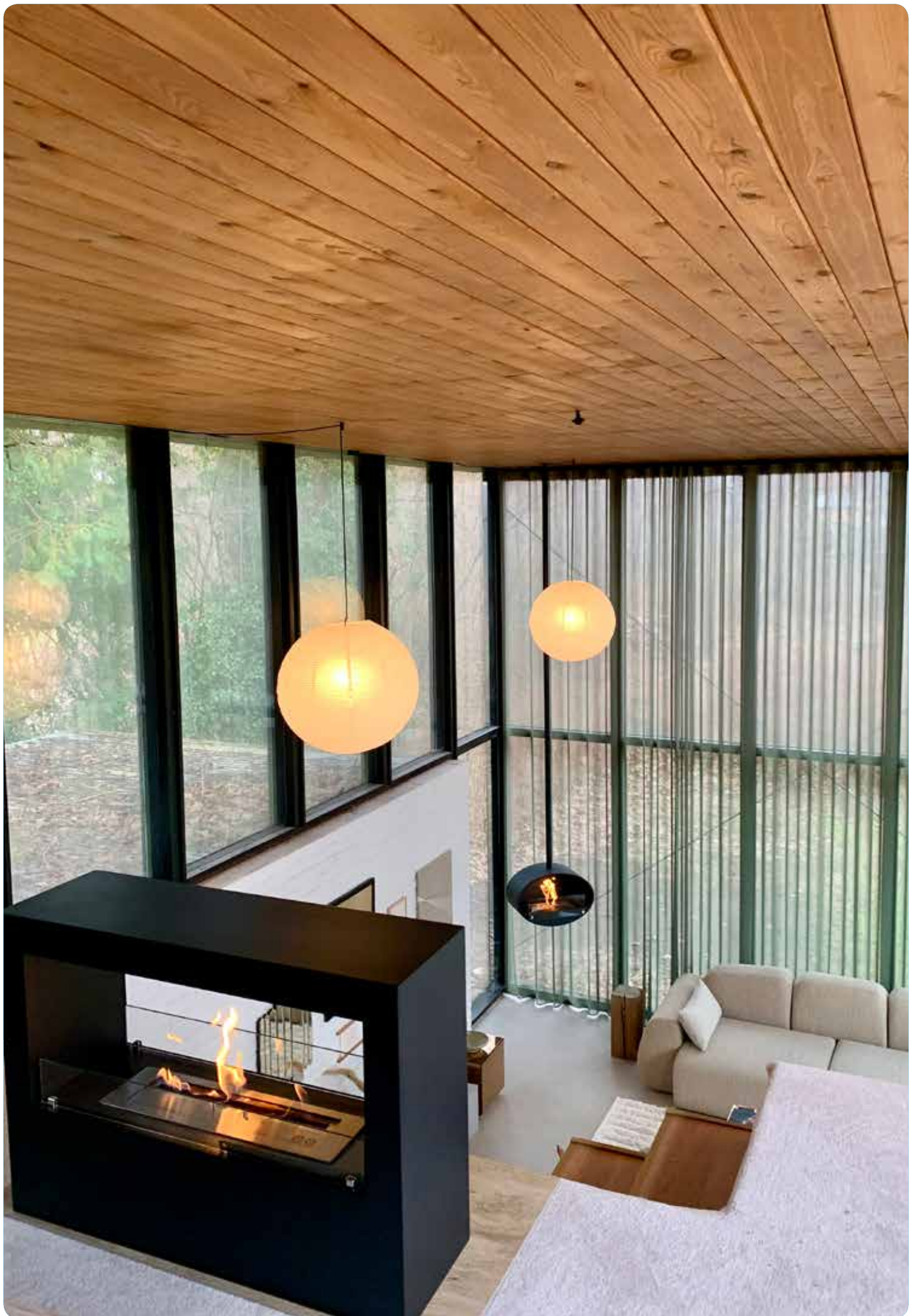




# SCANDI+FLAMES

SCANDINAVIAN ECO-FIRES





# Who are ScandiFlames?

ScandiFlames is an acknowledged Danish brand boasting an impressive 13 years of experience in crafting bioethanol fireplaces. With a commitment to quality, ScandiFlames offers an extensive product range featuring wall mounted fires, tabletop designs, as well as freestanding models, ensuring a diverse selection for every homeowner's aesthetic preferences and spatial requirements.

## What is a bioethanol fireplace?

A bioethanol fireplace represents a modern and environmentally conscious alternative to conventional wood stoves or gas fireplaces. This innovative heating solution harnesses the power of bioethanol, a renewable and clean-burning fuel, to generate genuine flames and warmth. Remarkably, bioethanol fireplaces eliminate the need for a traditional chimney or flue, providing homeowners with flexibility in installation and design.

## What are the benefits?

The advantages of bioethanol fireplaces contribute to their growing popularity among homeowners seeking a stylish and sustainable heating solution.

- Easy to install
- Easy to use and maintain
- No chimney or flue system required
- 100% energy efficiency
- Environmentally friendly

## Eco-friendly

Bioethanol is a renewable and clean-burning fuel made from residues from organic materials such as corn, sugarcane, or other plant-based sources. Bioethanol fuel is CO<sub>2</sub> neutral, and because the fuel is derived from organic residues that absorb CO<sub>2</sub> during photosynthesis, it doesn't emit additional CO<sub>2</sub> into the atmosphere; instead, it releases the previously absorbed CO<sub>2</sub>.

When burned, it only emits small amounts of carbon dioxide, making it a more environmentally friendly option compared to traditional wood-burning fireplaces.

Freestanding

# LAMBETH



**Item number**

Black - BIO-20-258

White - BIO-20-259

**EAN**

Black - 5713475020095

White - 5713475020101



## Specifications

**Dimensions WxHxD in mm**

355 x 180 x 205

**Weight**

4 kg

**Burner capacity**

0.5 litre

**Expected burn time**

Up to 3 hours

**Flame length**

140 mm

**Maximum heat output**

0.8 kW

**Adjustable flame size**

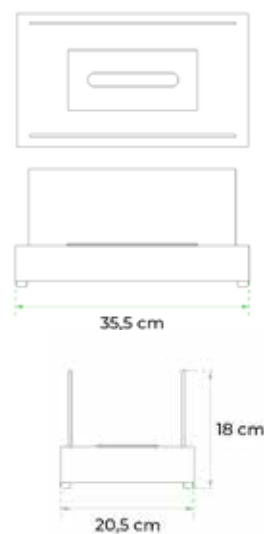
No

**Minimum room size**

30 m<sup>3</sup>

**Materials**

Powder coated steel, 304 stainless steel, tempered glass





Freestanding

# SOUTHWARK



**Item number**

Black - BIO-20-301BK

White - BIO-20-301WH

**EAN**

Black - 5713475020248

White - 5713475020255



## Specifications

**Dimensions WxHxD in mm**

250 x 315 x 250

**Weight**

4.5 kg

**Burner capacity**

3.0 litre

**Expected burn time**

Up to 18 hours

**Flame diameter**

50 mm

**Maximum heat output**

1.15 kW

**Adjustable flame size**

No

**Minimum room size**

30 m<sup>3</sup>

**Materials**

Powder coated steel, 304 stainless steel, tempered glass



Freestanding

# MERTON



**Item number**

BIO-20-204

**EAN**

5713475020125



## Specifications

**Dimensions WxHxD in mm**

470 x 400 x 190

**Weight**

7.4 kg

**Burner capacity**

1.0 litre

**Expected burn time**

Up to 4 hours

**Flame length**

160 mm

**Maximum heat output**

1.75 kW

**Adjustable flame size**

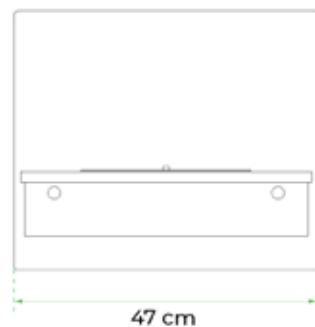
Yes

**Minimum room size**

30 m<sup>3</sup>

**Materials**

Powder coated steel, 304 stainless steel, tempered glass



Freestanding

# LANSING



## Item number

White - BIO-20-213

Black - BIO-20-213 Black

## EAN

White - 5713475020323

Black - 5713475020316



## Specifications

### Dimensions WxHxD in mm

1000 x 700 x 300

### Weight

36 kg

### Burner capacity

3.5 litre

### Expected burn time

Up to 7.5 hours

### Flame length

450 mm

### Maximum heat output

3.3 kW

### Adjustable flame size

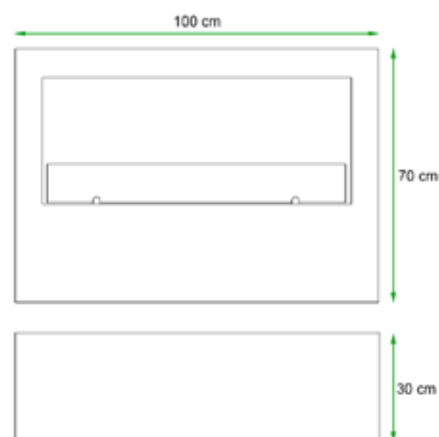
Yes

### Minimum room size

70 m<sup>3</sup>

### Materials

Powder coated steel, 304 stainless steel, tempered glass



Freestanding  
**TOPEKA**



**Item number**

White - BIO-20-216

Black - BIO-20-216 Black

**EAN**

White - 5713475020569

Black - 5713475020576



**Specifications**

**Dimensions WxHxD in mm**

1000 x 900 x 350

**Weight**

37 kg

**Burner capacity**

2.5 litre

**Expected burn time**

Up to 7.5 hours

**Flame length**

260 mm

**Maximum heat output**

2.4 kW

**Adjustable flame size**

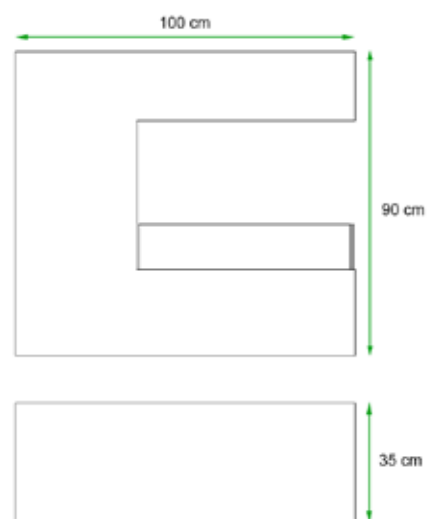
Yes

**Minimum room size**

60 m<sup>3</sup>

**Materials**

Powder coated steel, 304 stainless steel, tempered glass





Freestanding

# MONTGOMERY



**Item number**

White - BIO-20-218

Black - BIO-20-227

**EAN**

White - 5713475020569

Black - 5713475020576



## Specifications

**Dimensions WxHxD in mm**

450 x 950 x 450

**Weight**

28 kg

**Burner capacity**

1.0 litre

**Expected burn time**

Up to 4.5 hours

**Flame length**

130 mm

**Maximum heat output**

1.9 kW

**Adjustable flame size**

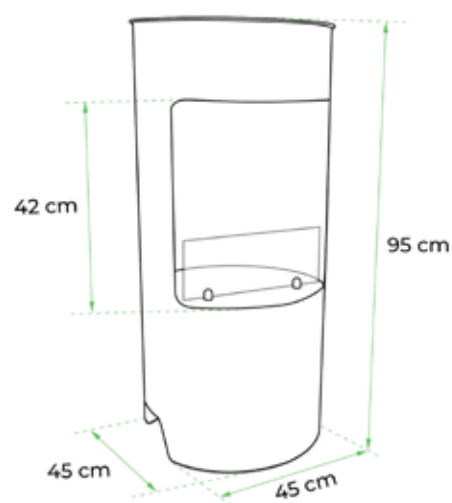
Yes

**Minimum room size**

40m<sup>3</sup>

**Materials**

Powder coated steel, 304 stainless steel, tempered glass



Freestanding

# BOSTON



**Item number**

BIO-20-239

**EAN**

5713475020583



## Specifications

**Dimensions WxHxD in mm**

520 x 980 x 340

**Weight**

33 kg

**Burner capacity**

1.3 litre

**Expected burn time**

Up to 6 hours

**Flame length**

130 mm

**Maximum heat output**

1.9 kW

**Adjustable flame size**

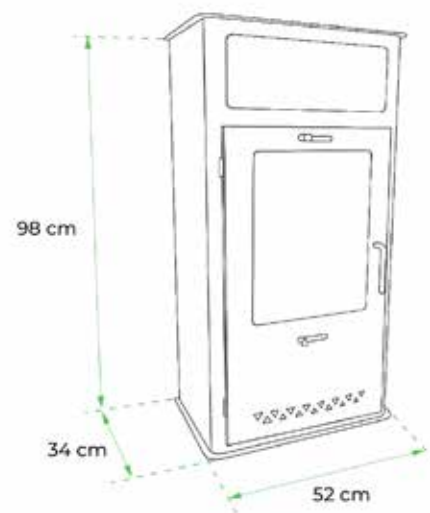
Yes

**Minimum room size**

40 m<sup>3</sup>

**Materials**

Powder coated steel, 304 stainless steel, tempered glass



Freestanding

# WASHINGTON



**Item number**  
BIO-20-240

**EAN**  
5713475020552



## Specifications

**Dimensions WxHxD in mm**  
420 x 1224 x 420

**Weight**  
34 kg

**Burner capacity**  
1.5 litre

**Expected burn time**  
Up to 6 hours

**Flame length**  
150 mm

**Maximum heat output**  
2.2 kW

**Adjustable flame size**  
Yes

**Minimum room size**  
45 m<sup>3</sup>

**Materials**  
Powder coated steel, 304 stainless steel, tempered glass



Freestanding

# SALEM



**Item number**

BIO-20-262

**EAN**

5713475023195



## Specifications

**Dimensions WxHxD in mm**

440 x 800 x 440

**Weight**

18 kg

**Burner capacity**

1.0 litre

**Expected burn time**

Up to 4.5 hours

**Flame length**

130 mm

**Maximum heat output**

1.9 kW

**Adjustable flame size**

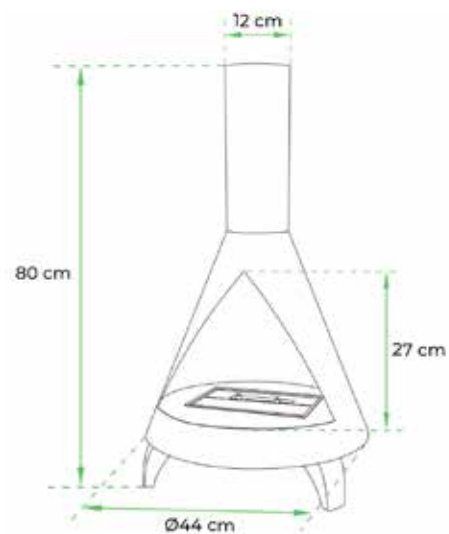
Yes

**Minimum room size**

40 m<sup>3</sup>

**Materials**

Powder coated steel, 304 stainless steel



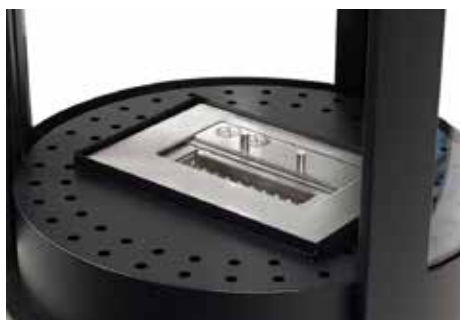


Freestanding  
**COLUMBUS**



**Item number**  
BIO-20-296

**EAN**  
5713475022754



## Specifications

**Dimensions WxHxD in mm**  
430 x 960 x 430

**Weight**  
29 kg

**Burner capacity**  
1.3 litre

**Expected burn time**  
Up to 6 hours

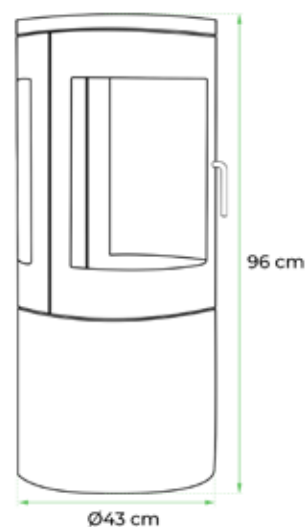
**Flame length**  
130 mm

**Maximum heat output**  
1.9 kW

**Adjustable flame size**  
Yes

**Minimum room size**  
40 m<sup>3</sup>

**Materials**  
Powder coated steel, 304 stainless steel, tempered glass



Freestanding

# RICHMOND



**Item number**

BIO-20-299

**EAN**

5713475022730



## Specifications

**Dimensions WxHxD in mm**

440 x 960 x 300

**Weight**

23.5 kg

**Burner capacity**

1.3 litre

**Expected burn time**

Up to 6 hours

**Flame length**

130 mm

**Maximum heat output**

1.9 kW

**Adjustable flame size**

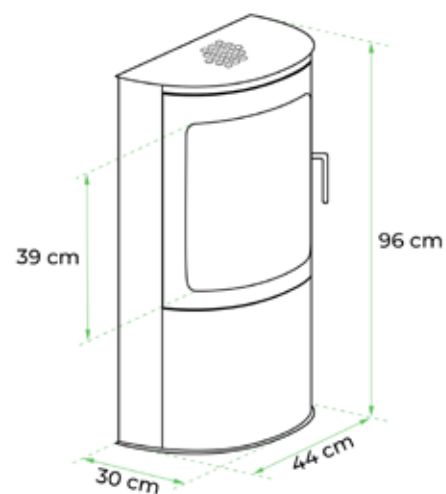
Yes

**Minimum room size**

40 m<sup>3</sup>

**Materials**

Powder coated steel, 304 stainless steel, tempered glass



Freestanding

# CHEYENNE



**Item number**  
BIO-20-304

**EAN**  
5713475020545



## Specifications

**Dimensions WxHxD in mm**  
370 x 950 x 270

**Weight**  
22 kg

**Burner capacity**  
1.0 litre

**Expected burn time**  
Up to 4.5 hours

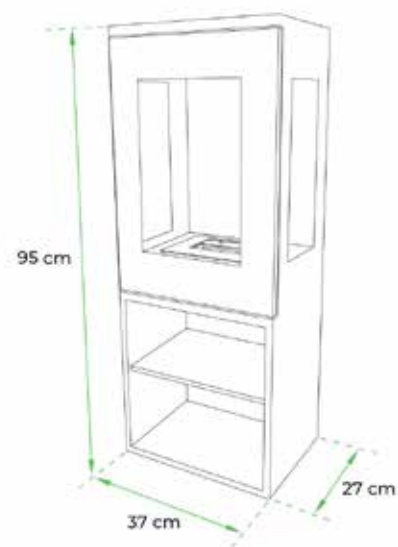
**Flame length**  
130 mm

**Maximum heat output**  
1.9 kW

**Adjustable flame size**  
Yes

**Minimum room size**  
40 m<sup>3</sup>

**Materials**  
Powder coated steel, 304 stainless steel, tempered glass



Freestanding

# TRENTON



**Item number**

BIO-20-309

**EAN**

5713475022334



## Specifications

**Dimensions WxHxD in mm**

600 x 980 x 300

**Weight**

30 kg

**Burner capacity**

1.5 litre

**Expected burn time**

Up to 6 hours

**Flame length**

150 mm

**Maximum heat output**

2.2 kW

**Adjustable flame size**

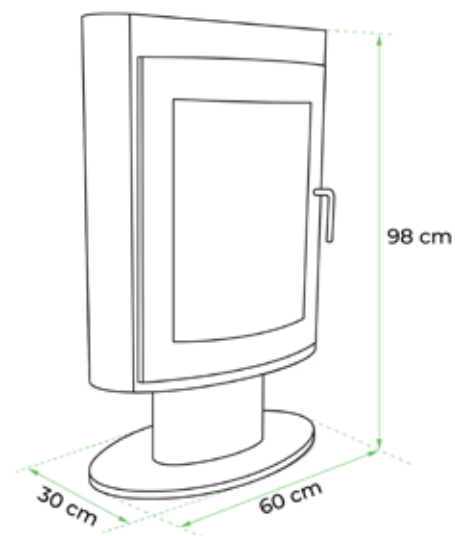
Yes

**Minimum room size**

45 m<sup>3</sup>

**Materials**

Powder coated steel, 304 stainless steel, tempered glass





Freestanding

# JACKSON



**Item number**

BIO-20-311

**EAN**

5713475020538



## Specifications

**Dimensions WxHxD in mm**

500 x 1040 x 300

**Weight**

30 kg

**Burner capacity**

1.5 litre

**Expected burn time**

Up to 6 hours

**Flame length**

150 mm

**Maximum heat output**

2.2 kW

**Adjustable flame size**

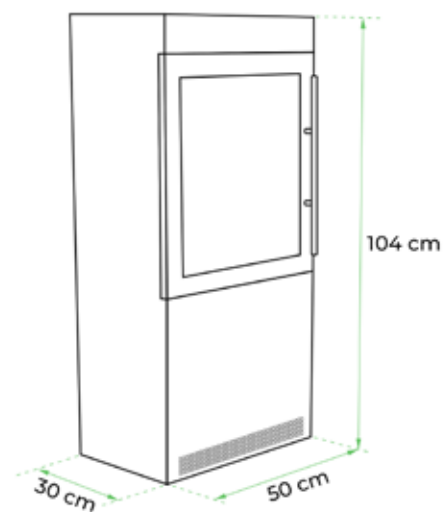
Yes

**Minimum room size**

45 m<sup>3</sup>

**Materials**

Powder coated steel, 304 stainless steel, tempered glass



Freestanding  
**ALASKA**



**Item number**  
BIO-20-213

**EAN**  
5713475020507



### Specifications

**Dimensions WxHxD in mm**  
576 x 953 x 392

**Weight**  
28 kg

**Burner capacity**  
1.3 litre

**Expected burn time**  
Up to 6 hours

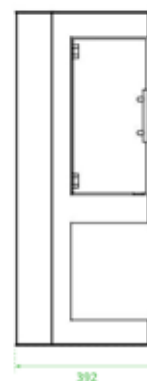
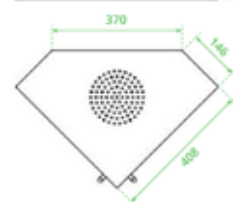
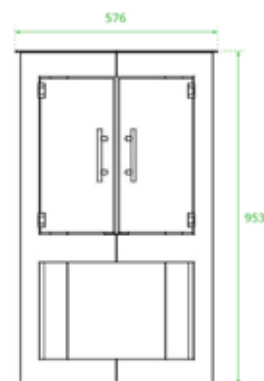
**Flame length**  
130 mm

**Maximum heat output**  
1.9 kW

**Adjustable flame size**  
Yes

**Minimum room size**  
40 m<sup>3</sup>

**Materials**  
Powder coated steel, 304 stainless steel, tempered glass



Freestanding  
**CARSON**



**Item number**  
BIO-20-314

**EAN**  
5713475020514



### Specifications

**Dimensions WxHxD in mm**  
480 x 615 x 300

**Weight**  
21.5 kg

**Burner capacity**  
1.0 litre

**Expected burn time**  
Up to 6 hours

**Flame length**  
100 mm

**Maximum heat output**  
1.35 kW

**Adjustable flame size**  
Yes

**Minimum room size**  
30 m<sup>3</sup>

**Materials**  
Powder coated steel, 304 stainless steel, tempered glass



Freestanding

# Edmonton Freestanding



**Item number**  
BIO-20-316

**EAN**  
5713475024994



## Specifications

**Dimensions WxHxD in mm**  
502 x 865 x 400

**Weight**  
20 kg

**Burner capacity**  
1.0 litre

**Expected burn time**  
Up to 4.5 hours

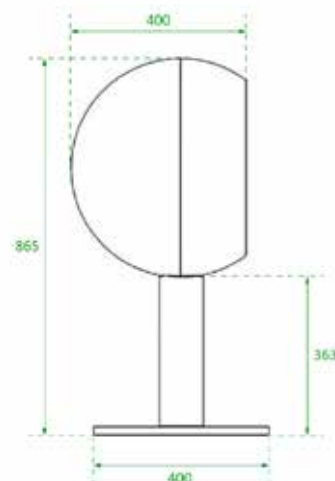
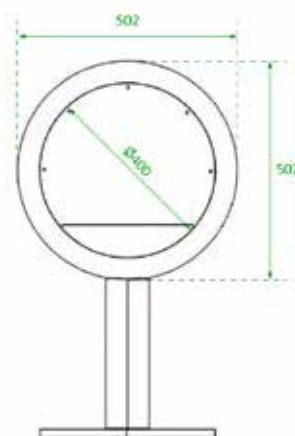
**Flame length**  
130 mm

**Maximum heat output**  
1.9 kW

**Adjustable flame size**  
Yes

**Minimum room size**  
40 m<sup>3</sup>

**Materials**  
Powder coated steel, 304 stainless steel, tempered glass





Freestanding

## Edmonton 2-sided Freestanding



**Item number**  
BIO-20-317

**EAN**  
5713475025007



### Specifications

**Dimensions WxHxD in mm**  
502 x 865 x 400

**Weight**  
20 kg

**Burner capacity**  
1.0 litre

**Expected burn time**  
Up to 4.5 hours

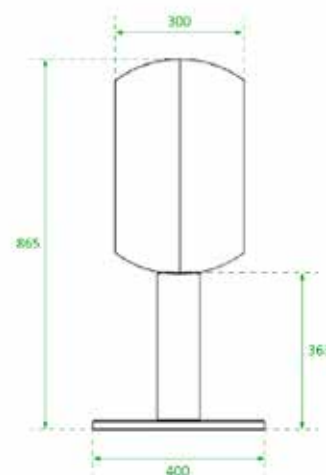
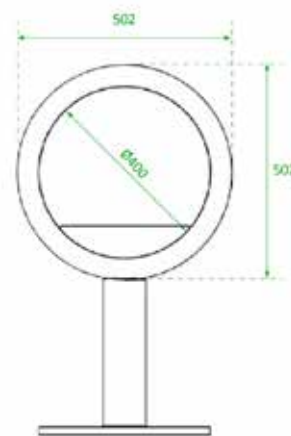
**Flame length**  
130 mm

**Maximum heat output**  
1.9 kW

**Adjustable flame size**  
Yes

**Minimum room size**  
40 m<sup>3</sup>

**Materials**  
Powder coated steel, 304 stainless steel, tempered glass



Freestanding insert

# GRATE M / L / XL



## Item number

Grate M - BIO-20-318

Grate L - BIO-20-303

Grate XL - BIO-20-319

## EAN

Grate M - 5713475023690

Grate L - 5713475022563

Grate XL - 5713475023706



## Specifications

### Dimensions WxHxD in mm

M - 440 x 139 x 350

L - 610 x 139 x 350

XL - 760 x 139 x 350

### Burner capacity

M - 1.5 litre

L - 2.5 litre

XL - 3.5 litre

### Expected burn time

M - Up to 6 hours

L - Up to 7.5 hours

XL - Up to 7.5 hours

### Flame length

M - 240 mm

L - 260 mm

XL - 450 mm

### Maximum heat output

M - 2.2 kW

L - 2.4 kW

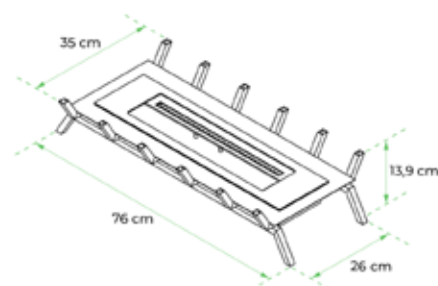
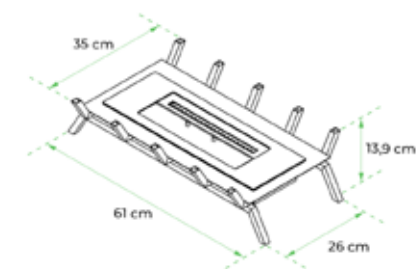
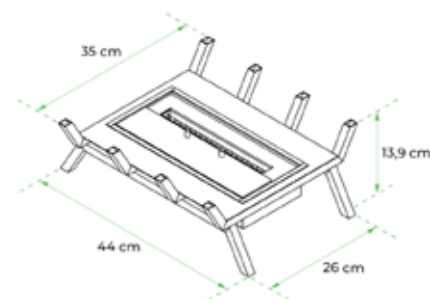
XL - 3.3 kW

### Minimum room size

M - 45 m<sup>3</sup>

L - 60 m<sup>3</sup>

XL - 70 m<sup>3</sup>



Freestanding insert

## GRATE 30



**Item number**

BIO-20-310

**EAN**

5713475021948



### Specifications

**Dimensions WxHxD in mm**

305 x 103 x 200

**Weight**

5 kg

**Burner capacity**

1.5 litre

**Expected burn time**

Up to 6 hours

**Flame length**

150 mm

**Maximum heat output**

2.2 kW

**Adjustable flame size**

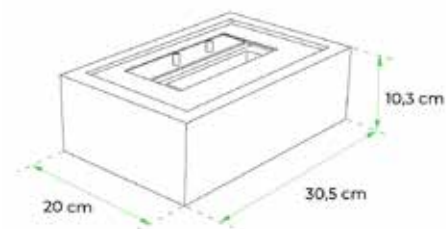
Yes

**Minimum room size**

45 m<sup>3</sup>

**Materials**

Powder coated steel, 304 stainless steel, tempered glass



Wall-mounted

# NEVADA



**Item number**

BIO-10-008

**EAN**

5713475020200



## Specifications

**Dimensions WxHxD in mm**

600 x 400 x 210

**Weight**

14.5 kg

**Burner capacity**

1.5 litre

**Expected burn time**

Up to 6 hours

**Flame length**

240 mm

**Maximum heat output**

2.2 kW

**Adjustable flame size**

Yes

**Minimum room size**

45 m<sup>3</sup>

**Materials**

Powder coated steel, 304 stainless steel, tempered glass





Wall-mounted

# OCEAN



---

### Item number

Grey - BIO-10-010

White - BIO-10-029

Black - BIO-10-046

### EAN

Grey - 5713475021269

White - 5713475021245

Black - 5713475021252

---



## Specifications

### Dimensions WxHxD in mm

600 x 450 x 134

### Weight

9 kg

### Burner capacity

0.7 litre

### Expected burn time

Up to 3 hours

### Flame length

220 mm

### Maximum heat output

1.75 kW

### Adjustable flame size

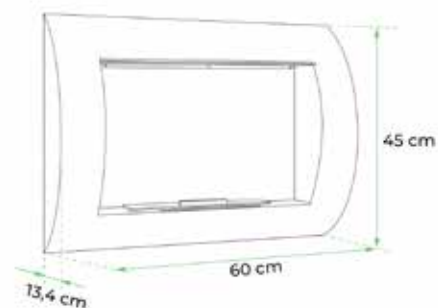
Yes

### Minimum room size

40 m<sup>3</sup>

### Materials

Powder coated steel, 304 stainless steel



Wall-mounted

# NEBRASKA



## Item number

White - BIO-10-044

Black - BIO-10-045

## EAN

White - 5713475021276

Black - 5713475021313



## Specifications

### Dimensions WxHxD in mm

780 x 540 x 165

### Weight

19 kg

### Burner capacity

1.5 litre

### Expected burn time

Up to 6 hours

### Flame length

180 mm

### Maximum heat output

1.5 kW

### Adjustable flame size

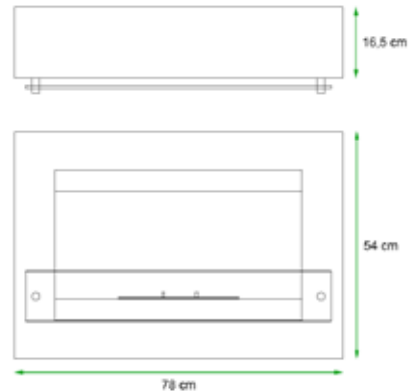
Yes

### Minimum room size

40 m<sup>3</sup>

### Materials

Powder coated steel, 304 stainless steel, tempered glass



Wall-mounted

# DAKOTA



**Item number**

Black - BIO-10-049

White - BIO-10-049WH

**EAN**

Black - 5713475022488

White - 5713475021306



## Specifications

**Dimensions WxHxD in mm**

800 x 600 x 300

**Weight**

27 kg

**Burner capacity**

3.5 litre

**Expected burn time**

Up to 7.5 hours

**Flame length**

450 mm

**Maximum heat output**

3.3 kW

**Adjustable flame size**

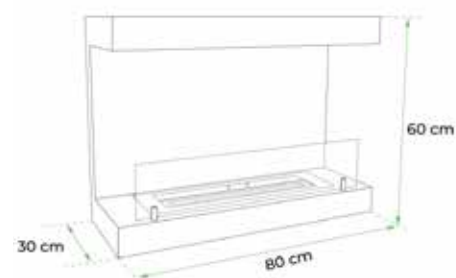
Yes

**Minimum room size**

70 m<sup>3</sup>

**Materials**

Powder coated steel, 304 stainless steel, tempered glass



Wall-mounted

# DELAWARE



**Item number**

White - BIO-10-052WH  
Black - BIO-10-052BK

**EAN**

White - 5713475021368  
Black - 5713475021351



## Specifications

**Dimensions WxHxD in mm**

600 x 600 x 200

**Weight**

17.5 kg

**Burner capacity**

1.5 litre

**Expected burn time**

Up to 6 hours

**Flame length**

220 mm

**Maximum heat output**

2.2 kW

**Adjustable flame size**

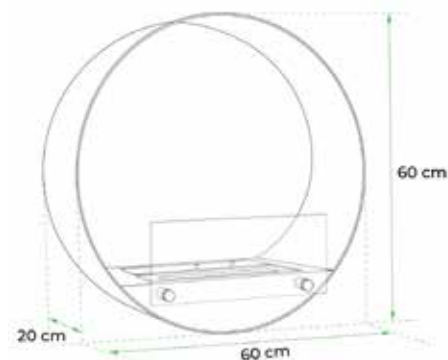
Yes

**Minimum room size**

45 m<sup>3</sup>

**Materials**

Powder coated steel, 304 stainless steel, tempered glass





Wall-mounted  
**OREGON**



**Item number**  
BIO-10-060

**EAN**  
5713475020521



### Specifications

**Dimensions WxHxD in mm**  
480 x 630 x 286

**Weight**  
25 kg

**Burner capacity**  
1.0 litre

**Expected burn time**  
Up to 4.5 hours

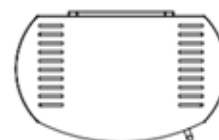
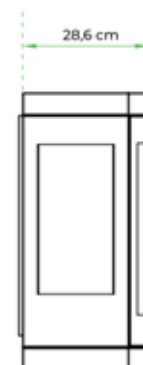
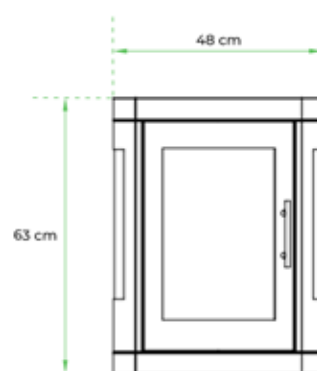
**Flame length**  
130 mm

**Maximum heat output**  
1.9 kW

**Adjustable flame size**  
Yes

**Minimum room size**  
40 m<sup>3</sup>

**Materials**  
Powder coated steel, 304 stainless steel, tempered glass



Wall-mounted

# TEXAS



### Item number

Black - BIO-10-061

White - BIO-10-062

Grey - BIO-10-063

### EAN

Black - 5713475022204

White - 5713475022198

Grey - 5713475022181



## Specifications

### Dimensions WxHxD in mm

900 x 450 x 121

### Weight

12.7 kg

### Burner capacity

1.5 litre

### Expected burn time

Up to 3 hours

### Flame length

400 mm

### Maximum heat output

3.0 kW

### Adjustable flame size

Yes

### Minimum room size

60 m<sup>3</sup>

### Materials

Powder coated steel, 304 stainless steel, tempered glass



Wall-mounted

# COLORADO



**Item number**  
BIO-10-064

**EAN**  
5713475022082



## Specifications

**Dimensions WxHxD in mm**  
600 x 600 x 230

**Weight**  
16.2 kg

**Burner capacity**  
1.0 litre

**Expected burn time**  
Up to 5.5 hours

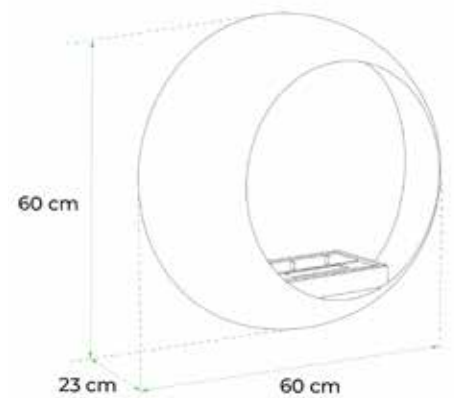
**Flame length**  
130 mm

**Maximum heat output**  
1.4 kW

**Adjustable flame size**  
Yes

**Minimum room size**  
40 m<sup>3</sup>

**Materials**  
Powder coated steel, 304 stainless steel



Ceiling-mounted  
**OTTAWA 50**



**Item number**

Black - BIO-40-101

Steel - BIO-40-102

**EAN**

Black - 5713475023416

Steel - 5713475023423



**Specifications**

**Dimensions WxHxD in mm**

500 x 500 x 200

**Weight**

15 kg

**Burner capacity**

1.0 litre

**Expected burn time**

Up to 4.5 hours

**Flame length**

130 mm

**Maximum heat output**

1,9 kW

**Minimum room size**

40 m<sup>3</sup>

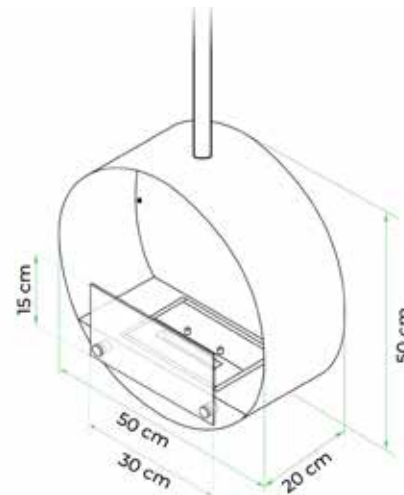
**Materials**

Powder coated steel, 304 stainless steel, tempered glass

**Accessories**

Rod: 50, 100, 125, 150, 200 cm

Mount: Flat or Angled mount





Ceiling-mounted

# OTTAWA 60



## Item number

Black - BIO-40-103

Steel - BIO-40-104

## EAN

Black - 5713475023430

Steel - 5713475023447



## Specifications

### Dimensions WxHxD in mm

600 x 600 x 200

### Weight

16 kg

### Burner capacity

1.5 litre

### Expected burn time

Up to 6 hours

### Flame length

240 mm

### Maximum heat output

2.2 kW

### Minimum room size

45 m<sup>3</sup>

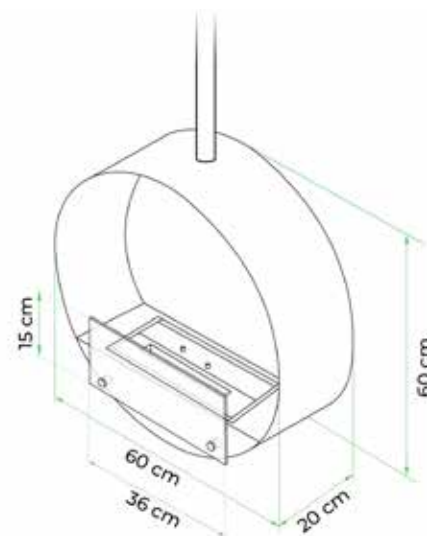
### Materials

Powder coated steel, 304 stainless steel, tempered glass

### Accessories

Rod: 50, 100, 125, 150, 200 cm

Mount: Flat or Angled mount



Ceiling-mounted  
**HALIFAX 60**



**Item number**

Black - BIO-40-105

Steel - BIO-40-106

**EAN**

Black - 5713475023454

Steel - 5713475023461



**Specifications**

**Dimensions WxHxD in mm**

600 x 400 x 300

**Weight**

18 kg

**Burner capacity**

1.5 litre

**Expected burn time**

Up to 6 hours

**Flame length**

240 mm

**Maximum heat output**

2.2 kW

**Minimum room size**

45 m<sup>3</sup>

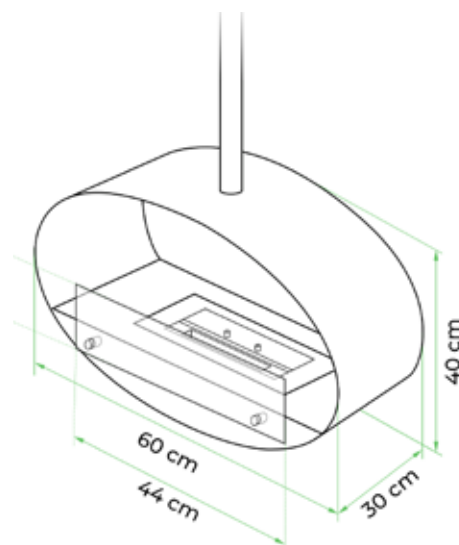
**Materials**

Powder coated steel, 304 stainless steel, tempered glass

**Accessories**

Rod: 75, 100, 125, 150, 175, 200 cm

Mount: Flat or Angled mount



Ceiling-mounted

# HALIFAX 80



## Item number

Black - BIO-40-107

Steel - BIO-40-108

## EAN

Black - 5713475023478

Steel - 5713475023485



## Specifications

### Dimensions WxHxD in mm

800 x 600 x 300

### Weight

28 kg

### Burner capacity

2.0 litre

### Expected burn time

Up to 7 hours

### Flame length

210 mm

### Maximum heat output

2.0 kW

### Minimum room size

45 m<sup>3</sup>

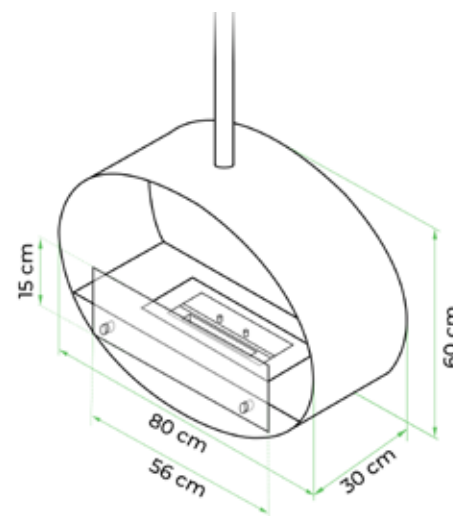
### Materials

Powder coated steel, 304 stainless steel, tempered glass

### Accessories

Rod: 75, 100, 125, 150, 175, 200 cm

Mount: Flat or Angled mount



Ceiling-mounted

# EDMONTON CEILING



**Item number**

BIO-40-119

**EAN**

5713475024970



## Specifications

**Dimensions WxHxD in mm**

500 x 500 x 400

**Weight**

20 kg

**Burner capacity**

1.0 litre

**Expected burn time**

Up to 4.5 hours

**Flame length**

130 mm

**Maximum heat output**

1.9 kW

**Minimum room size**

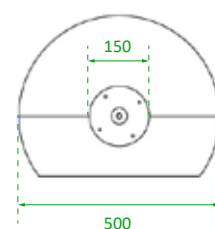
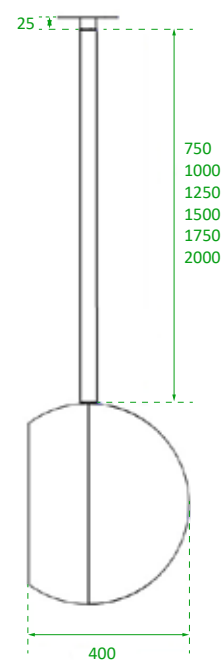
40 m<sup>3</sup>

**Materials**

Powder coated steel, 304 stainless steel, tempered glass

**Accessories**

Rod: 75, 100, 125, 150, 175, 200 cm  
Mount: Flat or Angled mount





Ceiling-mounted

# EDMONTON 2-SIDED CEILING



**Item number**

BIO-40-120

**EAN**

5713475024987



## Specifications

**Dimensions WxHxD in mm**

500 x 500 x 400

**Weight**

20 kg

**Burner capacity**

1.0 litre

**Expected burn time**

Up to 4.5 hours

**Flame length**

130 mm

**Maximum heat output**

1.9 kW

**Minimum room size**

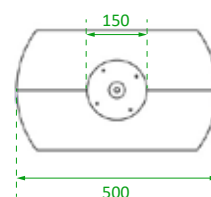
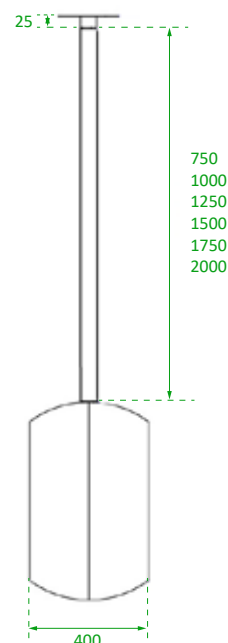
40 m<sup>3</sup>

**Materials**

Powder coated steel, 304 stainless steel, tempered glass

**Accessories**

Rod: 75, 100, 125, 150, 175, 200 cm  
Mount: Flat or Angled mount



# ACCESSORIES



## Ceramic Pebbles

**Dimensions WxHxD in mm**  
70x50x50

**Weight**  
0.5 kg

**Quantity**  
24 pcs.

**Item number**

Black - PEJS-05-01  
White - PEJS-05-02  
Grey - PEJS-05-03

**EAN**

Black - 5713475023669  
White - 5713475023676  
Grey - 5713475023683



## Ceramic Wood - 8 pcs.

**Length**  
16 - 28 cm

**Weight**  
0.8 kg

**Quantity**  
8 pcs.

**Item number**

PEJS-05-04

**EAN**

5713475022013



## Ceramic Wood - 9 pcs.

**Length**  
16 - 28 cm

**Weight**  
0.5 kg

**Quantity**  
6 logs  
3 pine cones

**Item number**

PEJS-05-05

**EAN**

5713475022068



## Ceramic Wood - 5 pcs.

**Length**  
25 - 40 cm

**Weight**  
0.8 kg

**Quantity**  
5 pcs.

**Item number**

BIO303

**EAN**

5713475022006

# ACCESSORIES



## Ceramic Wood 6 pcs.

**Length**  
18 - 22 cm

**Weight**  
1.0 kg

**Quantity**  
6 pcs.

**Item number**  
BIO313

**EAN**  
5713475023065



## Glow Flame Fiber

**Item number**  
BIO363

**EAN**  
5713475023348



## Bioethanol Pump

**Length**  
64 cm

**Batteries**  
2x D batteries  
*Not included*

**Item number**  
BIO301

**EAN**  
5713475023225



## Bioethanol Fuel

**Alcohol percentage**  
96.6%



**SCANDI+FLAMES**  
SCANDINAVIAN ECO-FIRES

**ScandiFlames**

