

CACHFIRES

PLANIKA FIRES LINE AUTOMATIC 3

BIO-60-017

Planika FLA3 is a high-tech bioethanol burner with advanced safety sensors and 6-level adjustable flame. This burner is easily controlled via remote or app, ensuring a user-friendly and convenient experience. With Planika's patented BEV technology, you achieve odorless, smokeless, and soot-free combustion. The FLA3 is available in various sizes, making it suitable for any design. Perfect for DIY projects where only the best will do.

TECHNICAL SPECIFICATIONS

Key Specifications

Product type	Remote Controlled Bioethanol Burner
Brand	Planika Fires
Use	Indoor
Warranty	2 years

Dimensions & Weight

Length/Width	59 cm
Length/Width	249 cm
Length/Width	199 cm
Length/Width	149 cm
Length/Width	119 cm
Length/Width	99 cm
Length/Width	79 cm
Height	22 cm
Depth	28 cm
Weight	59 kg
Weight	50 kg
Weight	40 kg
Weight	33 kg
Weight	27,5 kg
Weight	24 kg

Technical Specifications

Minimum room size	225 m ³
Minimum room size	180 m ³
Minimum room size	31 m ³
Minimum room size	130 m ³
Minimum room size	94 m ³
Minimum room size	70 m ³
Minimum room size	44 m ³
Fuel	Bioethanol
Burning time up to	11 hours
Burning time up to	10 hours
Burning time up to	9 hours
Burning time up to	6 hours



Burning time up to	12 hours
Capacity	6.8 Litres
Capacity	5.5 Litres
Capacity	4.3 Litres
Capacity	14.8 Litres
Capacity	3.1 Litres
Capacity	11.7 Litres
Capacity	8.6 Litres
Flame levels	6
Heat output (max)	22,5 kW
Heat output (max)	18 kW
Heat output (max)	13 kW
Heat output (max)	9,4 kW
Heat output (max)	7 kW
Heat output (max)	4,4 kW
Heat output (max)	3,1 kW
Recommended air change rate	1

Burner Specifications

Adjustable flame	Yes
Control	Automatic
Control	App-control
Control	Remote Control
Flame length	230 cm
Flame length	180 cm
Flame length	130 cm
Flame length	100 cm
Flame length	80 cm
Flame length	60 cm
Burner Model	FLA3
Remote control	Yes (included)

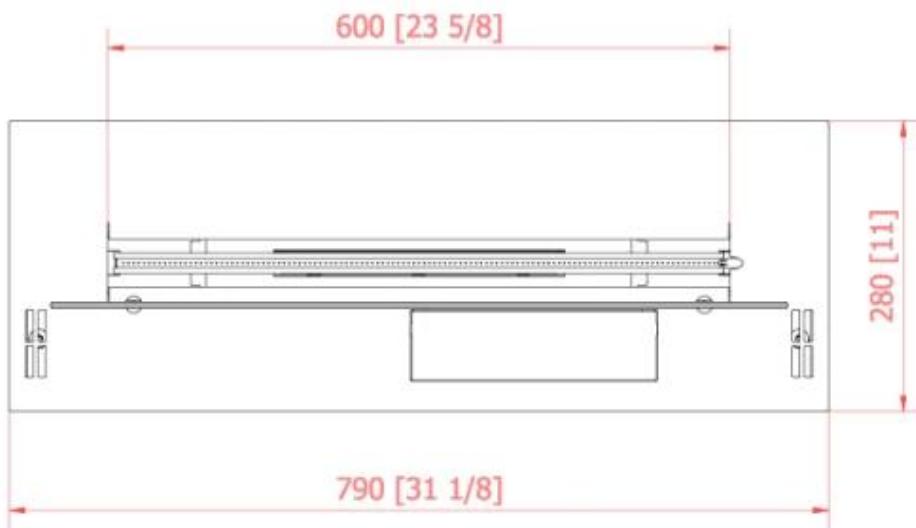
Material and Appearance

Material	Glass
Material	Galvanised Steel
Material	Steel
Colour	Black
Colour	Steel
Finish	Powdercoated
Flame view	44,1
Shape	Rectangular
Decoration	Stones (Additional)
Decoration	Wood (Additional)
Glas included	Yes

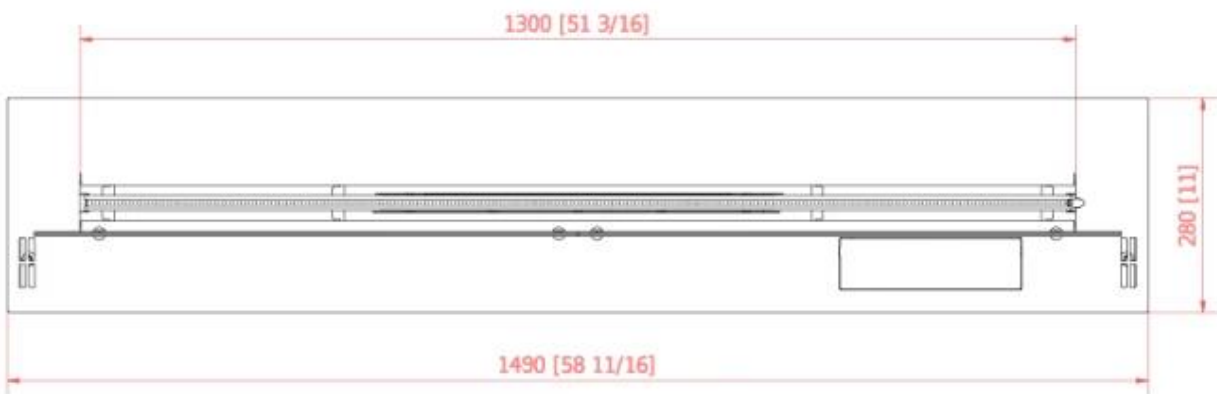
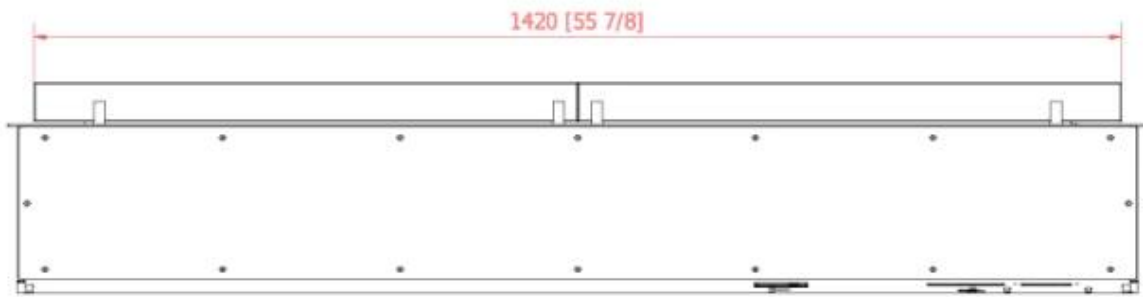
Installation Details

Flue/Chimney	Not Required
Power Requirements	Yes

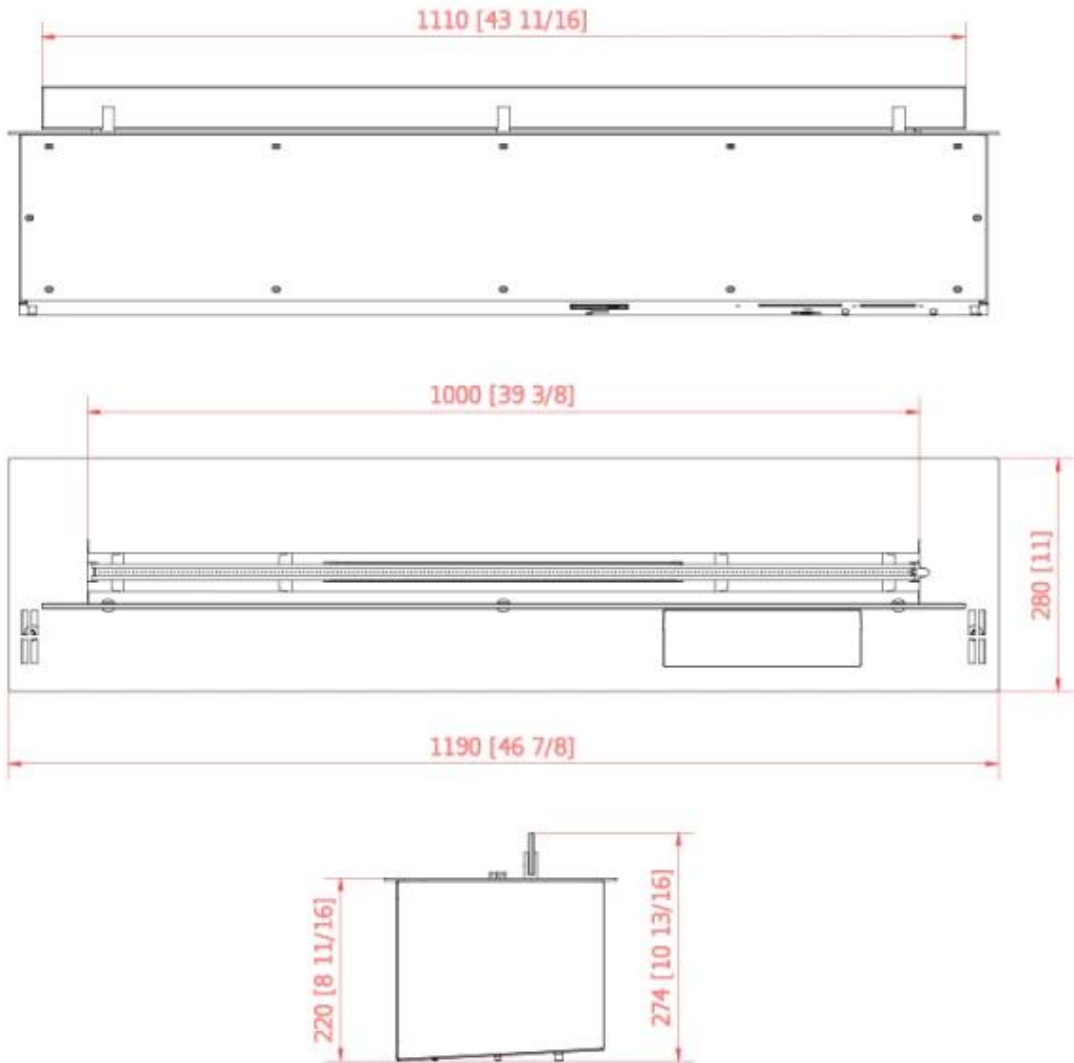
Planika FLA3 790



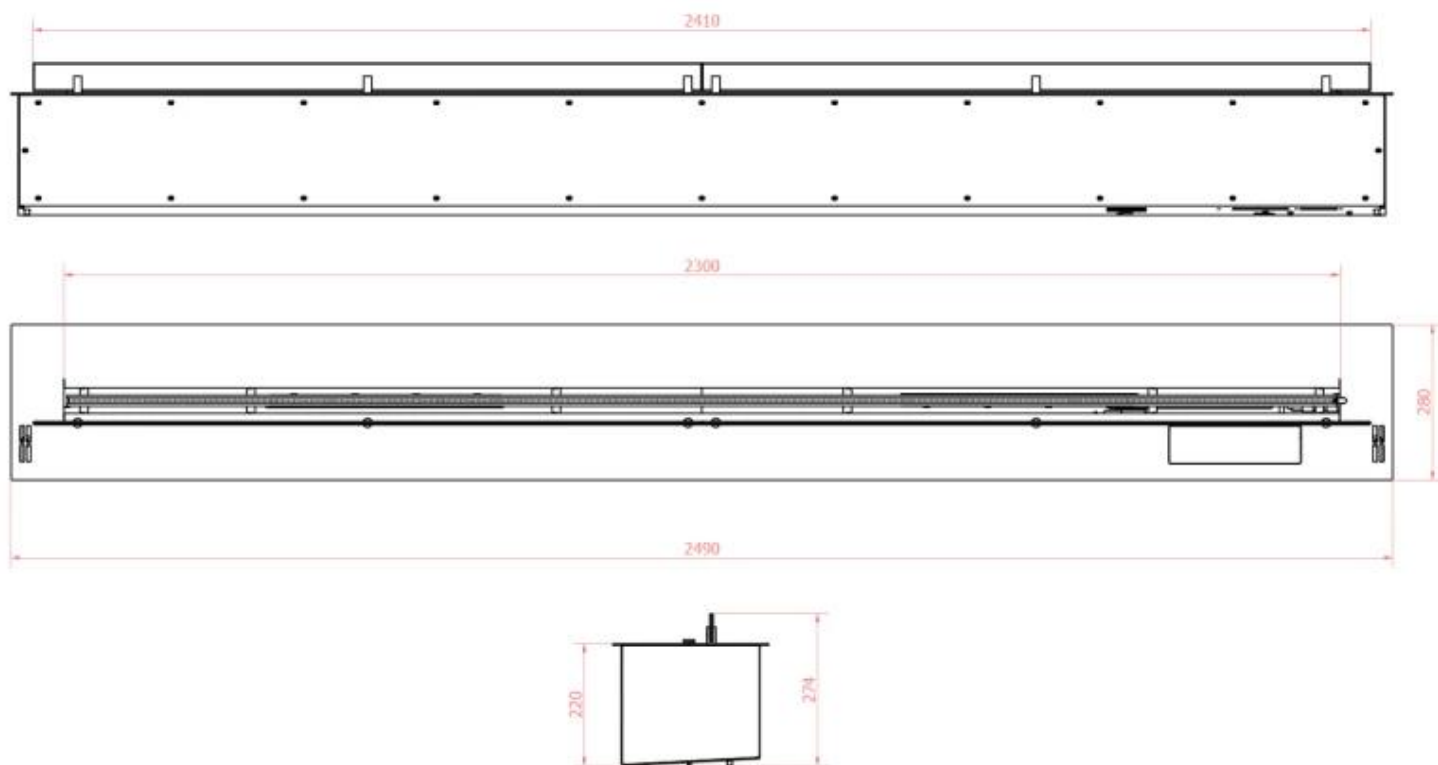
Planika FLA3 1490



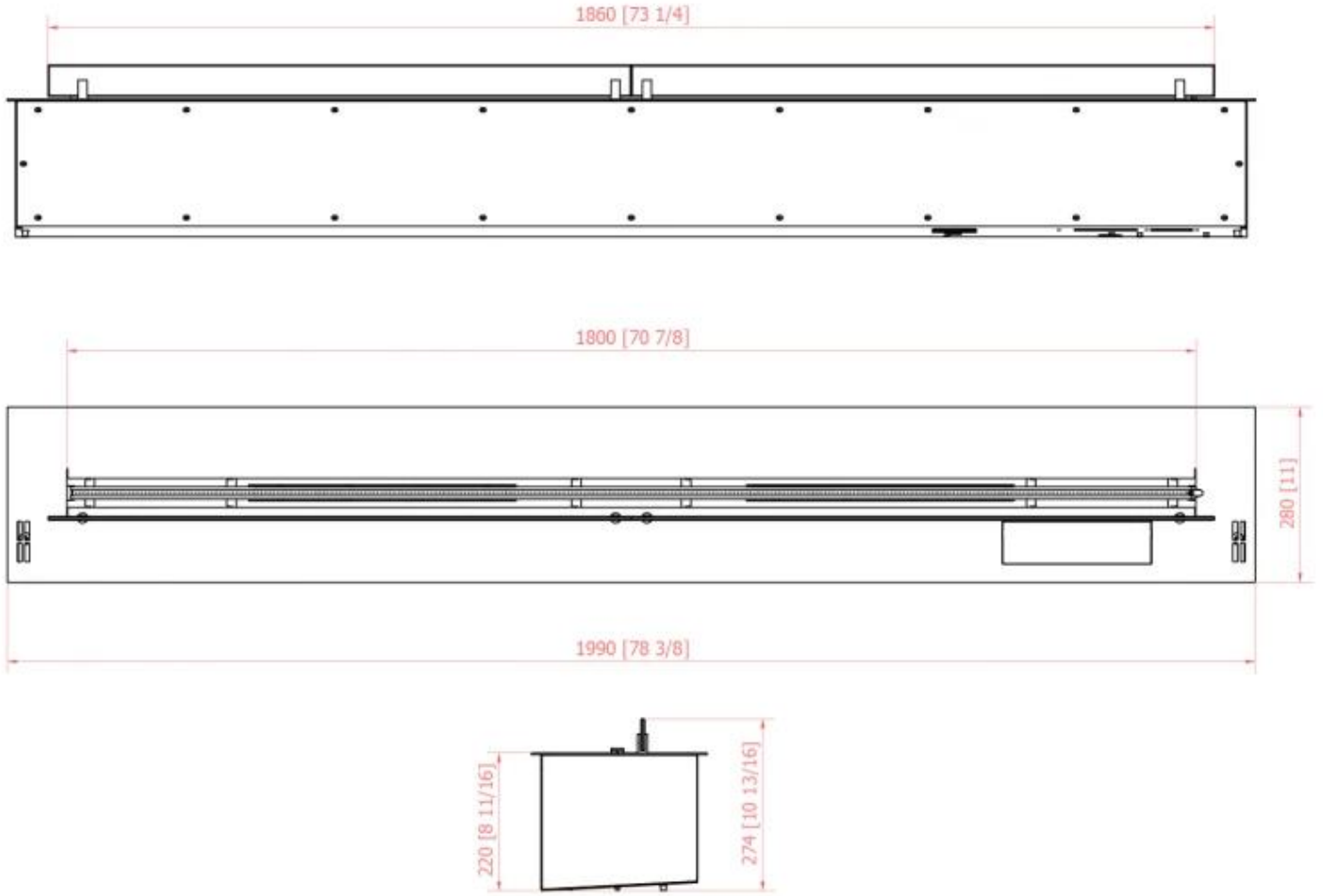
Planika FLA3 1190



Planika FLA3 - 2490



Planika FLA3 - 1990



Planika FLA3 - 990

